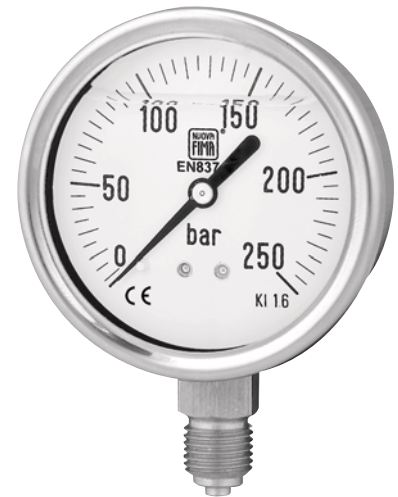


bourdon tube pressure gauges anti-vibration version DS 2.5" (63mm)

MGS10



CE Compliance to requirement of
PED 97/23/CE

Instruments designed for use on power units, pump, hydro-cleaning machines, presses, engine compressors, turbines, diesel engines, chemical, petrochemical and refrigerating plants and on machines and equipment where pulsating pressures or mechanical vibrations are apparent. They can be used with gaseous or liquid media which do not corrode copper alloy and which do not have high viscosity or do not cristalize.

Fillable Model

Design: EN837-1.

Safety designation: S1 as per EN 837-2.

Ranges: from 0...15 to 0...10000 *psi* (from 0...1 to 0...600 bar or other equivalent units).

Accuracy class: 1,6 as per EN 837-1.

Ambient temperature: -13...+149°F (-25...+65 °C).

Process fluid temperature: +212°F (max +100 °C).

Thermal drift: max ±0,4 % / 10 K of ranges (starting from + 68°F - 20°C).

Working pressure:

75% of FSV for static pressure;

66% of FSV for pulsating pressure;

100% of FSV for static pressure (max 12 hours)

Over pressure limit (15 min max):

25% of FSV for pressure ranges ≤ 1500 *psi* (100 bar);

15% of FSV for pressure ranges over 1500 *psi* (100 bar).

Protection degree: IP 67 as per IEC 529.

Socket material: copper alloy.

Bourdon tube: copper alloy.

Case: stainless steel.

Ring: stainless steel, polished, crimped

Window: plastic.

Movement: copper and stainless steel.

Dial: plastic, white with black markings

Pointer: not adjustable, aluminium, black

Filled Model

Damping liquid: glycerine 98%, silicon oil or fluorinated fluid.

Ambient temperature:

+59...+149 °F (+15...+65 °C) with glycerine filling;

-49...+149 °F (-45...+65 °C) with silicon oil filling;

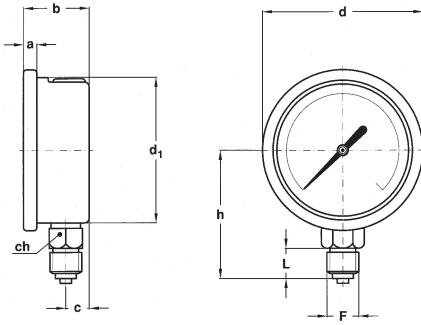
-76...+149 °F (-60...+65 °C) with fluorinated fluid filling.

Process fluid temperature: max +149°F (+65 °C).

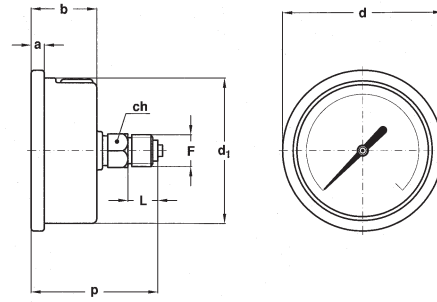
Other features: as fillable model.

bourdon tube pressure gauges
anti-vibration version, DS 2.5" (63mm)

MGS10



**LOWER
CONNECTION MOUNTING**



**BACK
CONNECTION MOUNTING**

Mounting	F	a	b	c	d	d ₁	h	p	L	ch	Weight (1)
Lower	1/4-18 NPT - G 1/4 A	0.22" (5,6)	1.10" (28)	0.39" (10)	2.67" (68)	2.46" (62,6)	2.17" - 2.13" (55,3 - 54,3)		0.51" (13)	0.51" x 0.35" (14 x 9)	0.28 lbs (0,13 kg)
Back	1/4-18 NPT - G 1/4 A	0.22" (5,6)	1.10" (28)		2.67" (68)	2.46" (62,6)		1.81" - 2.11" (54,8 - 53,8)	0.39" (13)	0.51" x 0.35" (14 x 9)	0.30 lbs (0,14 kg)

dimensions : inches (mm)

(1) add 0.15 lbs (0,07 kg) when filled

OPTIONS

Model	fillable	filled
"U"-clamp, for back connection pressure gauges	◆	◆
Back flange, for lower connection pressure gauges	◆	◆
Front flange, for back connection pressure gauges	◆	◆
Dial: aluminium (min. 100 pz)	◆	◆
Restrictor plug ø 0.015 " (0,4 mm).	◆	◆
Suitable for filling with silicone	◆	
Silicone filling		◆
Fluorinated fluid filling		◆
Tempered glass window	◆	◆

"HOW TO ORDER" SEQUENCE

Section / Model/Case / Mounting / Diameter / Special version / Range / Process connection / Variables



REV. A 2 06/05 IN ORDER TO IMPROVE THEIR PRODUCTION, MESSRS. NUOVA FIMA RESERVE THE RIGHT TO THEMSELVES TO MAKE ALL THE MODIFICATIONS THAT THEY DEEM INDISPENSABLE AT ANY TIME. UPDATED DATA SHEETS ARE AVAILABLE ON SITE: www.nuovafima.com